



BALE ACCUMULATOR GRAPPLE

OWNER/OPERATOR

SAFETY & OPERATION MANUAL



Division of:

Broadway Welding, Inc.

1090 Legion Road

Detroit Lakes, MN 56501

Ph: 218-844-5378 • Fax: 218-844-5379 • info@legendattachments.com

www.legendattachments.com

LEGEND ATTACHMENTS

1090 Legion Road • Detroit Lakes • MN • 56501 • Phone: 218-844-5378 • Fax: 218-844-5379

Email: TLake@LegendAttachments.com • Info@LegendAttachments.com

www.legendattachments.com

REFERENCE INFORMATION

Date Purchased: _____

Dealer Name: _____

Dealer Phone: _____

Model Number: _____

Serial Number: _____

For more efficient service, please have this information available when you contact your **Legend Attachments Dealer** for service, repair or warranty inquiries.

INTRODUCTION

We appreciate that you purchased a Legend Attachments Bale Accumulator. We are confident that you will find it to be of the highest quality and craftsmanship. We take pride in the products we design and manufacture and are sure that you will agree once you use them.

Located in Detroit Lakes, Minnesota, Legend Attachments designs and produces skid steer and compact tractor attachments of only the highest quality. From engineering and cutting raw materials to machining, welding and painting the finished product, all steps of the manufacturing process are done in-house.

This family owned and operated business has grown into a premium attachment manufacturer, supplying North America and beyond. By integrating the latest manufacturing technologies and using top-of-the-line materials, we have distinguished ourselves as a cut above the rest in the industry.

Our attachments major components are American made and manufactured with the latest technologies to yield a product that continually outperforms and outlasts the competition. Our quality truly is "LEGEND"ARY!

The Legend Attachments Bale Accumulator is designed to handle 8 to 10 square bales at a time and features removable sides for easy grabbing of stacked bales. This time saving grapple will cut your labor costs dramatically.

For your safety and the safety of others, please read this Owner/Operator Safety Manual in its entirety before operating your Legend Attachments Bale Accumulator.

If you have any questions, please contact your dealer.

SAFETY



The following safety instructions are provided to alert you to many of the precautions which, if not followed, can cause serious injury to yourself or others.

Please read these instructions completely.

Become familiar with them and follow all safety instructions carefully.

- Read this manual before using the grapple.
- Never allow children to operate the grapple or other equipment.
- Warn children and others to stay away from the grapple at all times, do not allow riders.
- Never operate or service equipment while under the influence of alcohol or drugs.
- Always use eye protection during operation.
- Know how to stop the equipment quickly in an emergency situation.
- Shut off vehicle when not in use and remove the ignition key from when leaving it unattended.
- Operate grapple in daylight only, or in very good artificial light.
- Always operate at a safe working speed.
- Make sure the machine is in good operating condition.
- Give undivided attention to the job at hand.
- Maintain a safe distance from objects to prevent damage to the attachment or property.
- Use extreme caution when operating equipment on uneven terrain.
- Make sure all hydraulic connections are tight and hoses are in good condition.
- Hydraulic fluid escaping under pressure can cause serious injury.
- Always lower attachments to the ground when not in operation.
- Read and observe all warning and caution decals. Replace if illegible or missing.
- Do not modify machine or attachments.

OPERATING INSTRUCTIONS

- ❖ Mount the Bale Accumulator Grapple onto your Skid Steer using the brackets located on the back of the unit. Once connected, check the lock pins to make sure the unit is securely locked in place.
- ❖ Attach the hydraulic lines to the Skid Steer and check for leaks.
- ❖ Connect the flat-faced couplers to your Skid Steer as you would any other hydraulic attachment.
- ❖ Make sure the grapple is properly serviced and all bolts are tight before operating.
- ❖ Run the Bale Accumulator 4"- 6" off the ground.
- ❖ Approach the bales at a slight angle. Move the hay into the corner of the grapple to begin loading.
- ❖ When loading 10 bales, load the 2 horizontal slots in the front last.
- ❖ Lower the unit to the ground and engage the hooks to grapple the hay.
- ❖ Secure your load according to local regulations.
- ❖ Unloading:
 - Lift the unit 18" off of the ground.
 - Remove the guide plate lock pins, slide plate forward and remove.
 - Remove the pin on the front of the grapple to remove the middle rail.
 - Leave either the left or right side rail on the grapple, depending on which side you choose to unload from.

Skid Steer Requirements

The Bale Accumulator Grapple requires the use of a Skid Steer with a minimum operating capacity of 1800 lbs.

MAINTENANCE

Your new Legend Attachments Grapple is engineered and built to last many years with very little maintenance by following these maintenance guidelines.

- Check all nuts and bolts for proper tightness before each use.
- Periodically inspect the attachments for any worn parts that may need to be replaced.
- Replace any missing or illegible safety decals immediately. Items are available through your Legend Attachments Dealer.
- Keep contaminants from entering the hydraulic system by wiping any dirt from couplers before attaching hoses.
- Hoses should be inspected for wear or damage every 8 hrs./Daily. Replace if necessary.
- Before Storing:
 - Clean unit thoroughly and inspect for wear or damage.
 - Apply rust preventive oil (spray) to all moving parts.
 - Protect hydraulic couplers from dirt and corrosion.



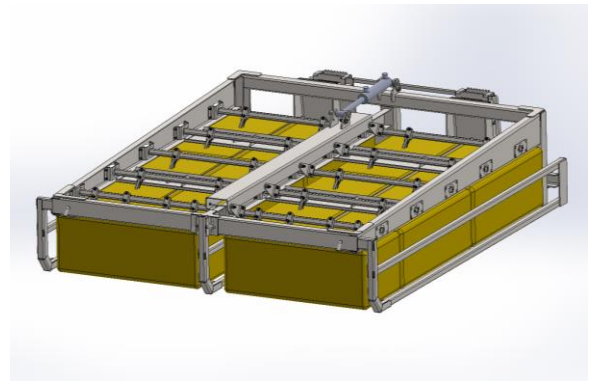
CAUTION

Perform all maintenance and repairs in a level surface with the unit firmly on the ground (when applicable).
Shut off hydraulic power supply and disconnect the hydraulic couplers.

Bale Accumulator Grapple

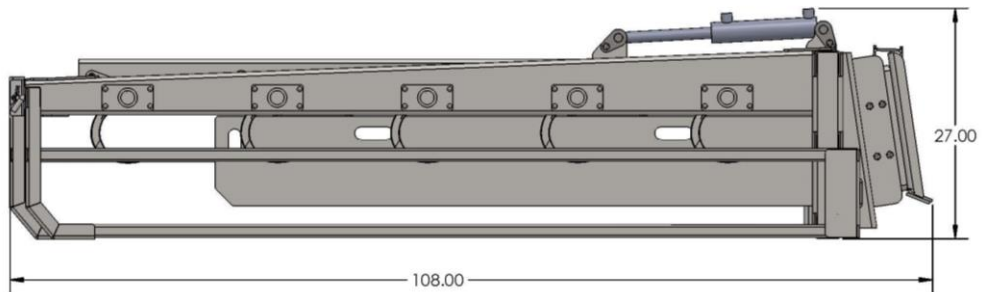
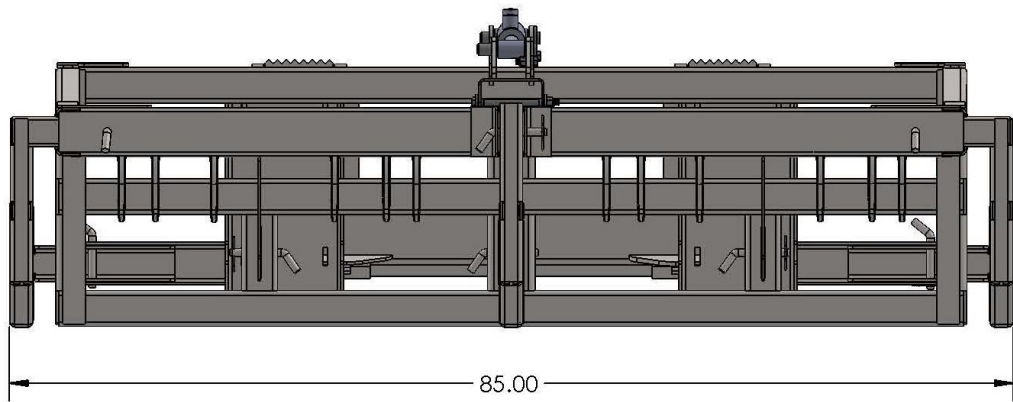
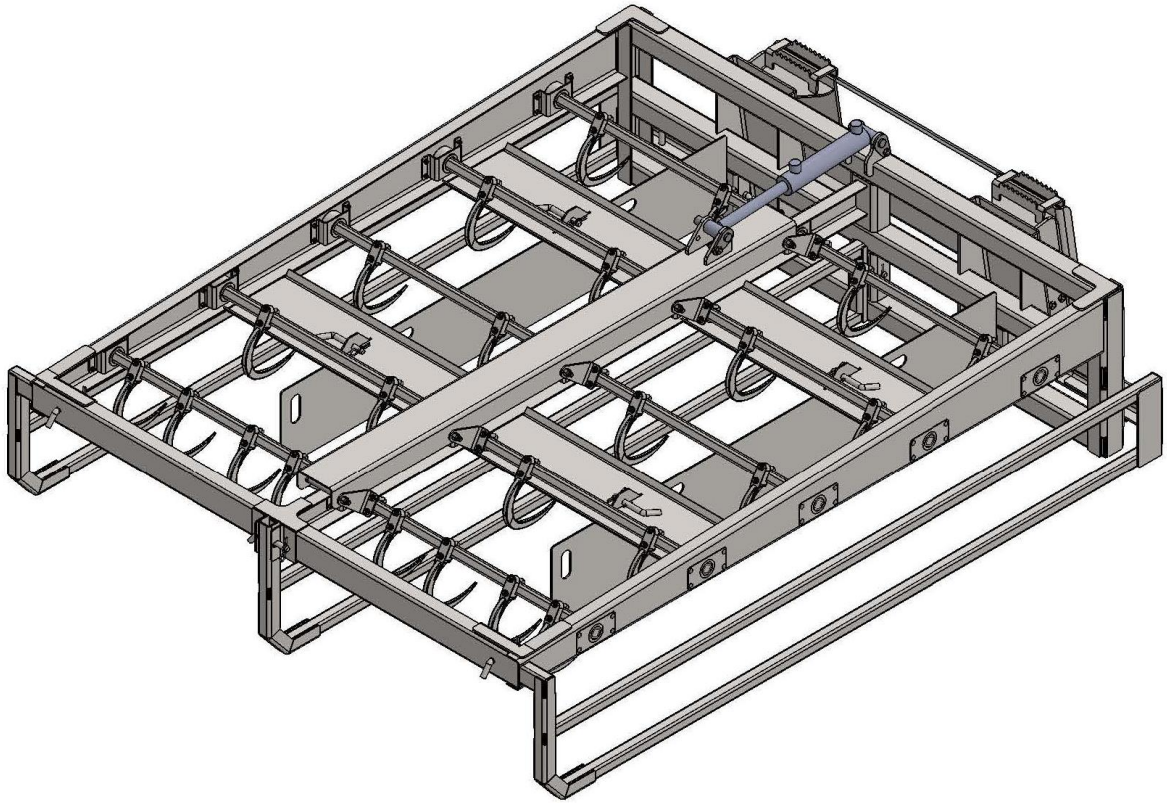
Model #55003-S

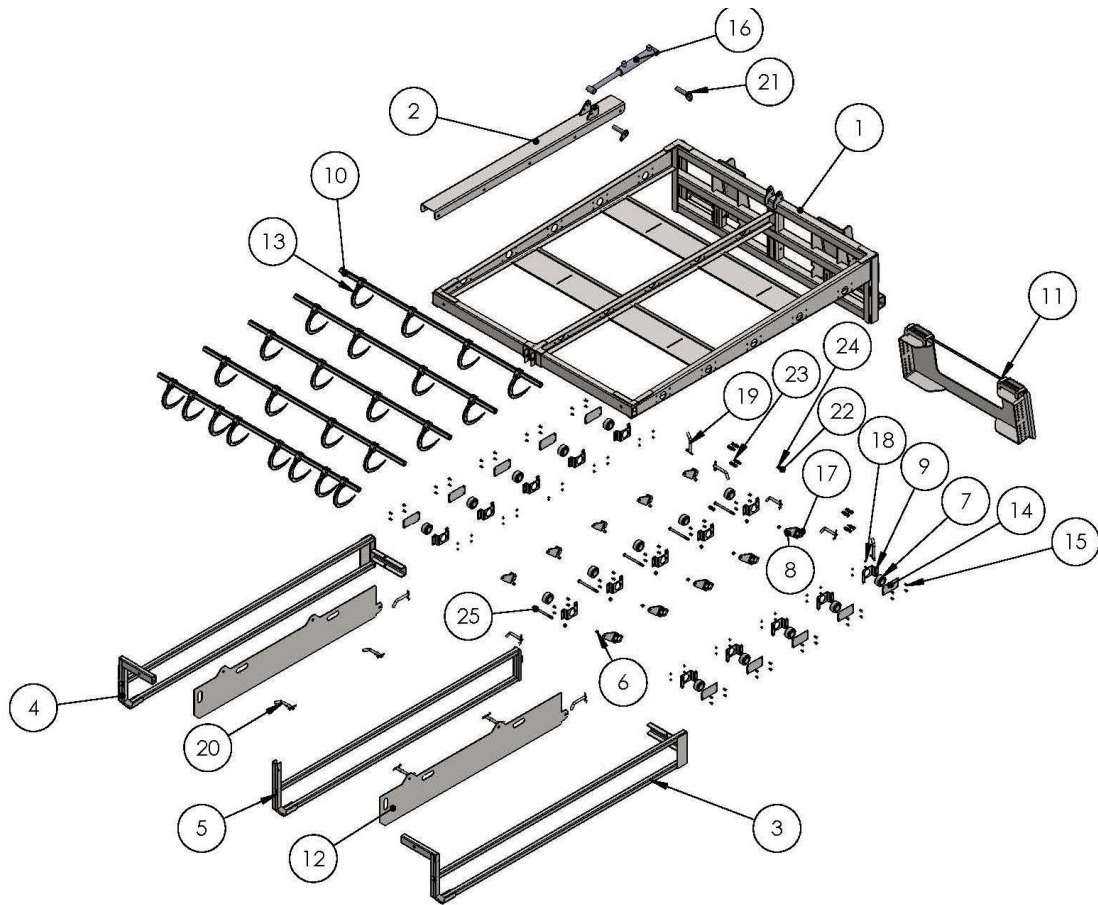
Specifications	
Width	84"
Height	26"
Overall Length	104"
Cylinder	2 x 8 Welded Cross Tube ORB Ports
Bushings	Machined Wear Resistant Nylon
Hooks	65-45-12 Ductile Iron
Frame	Laser Cut and Formed
Hoses	3/8" 3000 psi Hydraulic Hoses Included
Max Lift	8-10 Bales 8 Bales - 45" x 18" x 16" Max Size 10 Bales - 36" x 18" x 16" Max Size
Weight	998 lbs



Features:

- Hands free haying
- Grabs and lifts 8-10 square bales at a time
- Removable sides for ease of grabbing when stacked
- Reduces labor - One person can gather, lift, load and unload
- Quickly mounts to Skid Steers or Tractors
- Built tough for long lasting use
- Painted using a 2 part Urethane process for an exceptional finish





ITEM NO.	PART NUMBER	DESCRIPTION	QTY.
1	55003A	MAIN BODY	1
2	55003B	GRAPPLE HOOK LINK	1
3	55003C	LEFT SIDE RAIL	1
4	55003D	RIGHT SIDE RAIL	1
5	55003E	MIDDLE RAIL	1
6	55003-38	1/2' NYLON BUSHING	10
7	55003-04	PLASTIC BUSHING	15
8	55003-03	ARM LEVER	10
9	55003-01	BUSHING HOLDER	15
10	55003-11	Hook Tube	5
11	33201B	78" Snow Blower Mounting Plate Assem	1
12	55003-05	BALE GUIDE PLATE	2
13	68279 ASSM	HAY HOOK w/ U BOLT, 2 NUTS & 2 WASHERS	24
14	55003-39	BUSHING COVER FOR BALE ACCUMULATOR	10
15	90185A540	1/4-20 X 3/4" LONG CARRIAGE BOLT	60
16	HBU2008-ORB	2 X 8" welded, cross tube mount, ORB ports HYD CYL	1
17	72794	REPLACEMENT U BOLT KIT	10
18	90640A129	1/4-20 NYLOCK NUT	60
19	10322	5/8 x 4 BENT PIN W/HP CLIP	8
20	10322B	5/8 x 4 BENT PIN WROLL PIN & HP CLIP	4
21	33059D	Front Cylinder Pin	2
22	92865A716	1/2-13 x 1.5 GR5 BOLT	2
23	92865A720	1/2-13 X 2" GR5 BOLT	8
24	95615A210	1/2-13 NYLOCK NUT	15
25	91247A738	1/2-13 X 7" LONG GR5 BOLT	5

1090 Legion Road • Detroit Lakes • MN • 56501 • Phone: 218-844-5378 • Fax: 218-844-5379
Email: TLake@LegendAttachments.com • Info@LegendAttachments.com

We offer the only true Performance Guarantee in the industry. If your serial numbered attachment fails because of defects in material or workmanship, under normal working conditions in a 12 month period we will replace it at no charge. This warranty does not cover replacement of scheduled service items and high wear items. Warranty does not apply to failure of any attachment used beyond its specified capabilities.

Broadway Welding, Inc. dba Legend Attachments warrants to the original retail purchaser of each new Legend Attachment purchased from a Legend Attachments authorized dealer is free from proven defects in material and workmanship, under normal and reasonable use for a period of twelve (12) months after delivery by the authorized dealer to the original buyer. This warranty covers only defects in the workmanship of the Attachment itself, it does not cover damage caused by normal wear, accident, improper adjustments, improper maintenance, improper protection and storage, use of the attachment on equipment not approved by Legend Attachments, air flow obstructions, or failure to maintain or use Legend Attachments product according to the instructions applicable to it. Legend Attachments shall have no liability under this warranty if the Attachment has been altered or in any way modified. Legend Attachments will not be responsible for defects or damage resulting from use, repairs or service performed by someone other than Legend Attachments. The obligation of Legend Attachments under this warranty is limited to the repairing or replacing (excluding the cost of transportation from the owner to the Dealer) of the Attachment or parts that are deemed to be defective.

During the warranty period the authorized Legend Attachments Dealer shall repair or replace, at Legend Attachments option, without charge to the owner for parts and labor, any part of the Legend Attachments product that fails because of defects in material or workmanship. The option to repair or replace will be determined in the sole discretion and judgment of Legend Attachments. Legend Attachments must be notified prior to repairs being made so that it can be determined whether replacement or repair is most appropriate. The owner should provide prompt written notice to the Dealer and allow reasonable time for replacement or repair. Legend Attachments may, at its own discretion, require failed parts to be returned to the factory. Travel time of mechanics and shipping of the product from the owner to the Dealer are the responsibility of the owner. If Legend Attachments requires return of the failed attachment to the factory, the freight cost for shipping from the authorized Dealer to the factory will be covered by Legend Attachments.

Replacement parts and replacement products do not start a new warranty period.

THIS WARRANTY IS EXCLUSIVE AND IN LIEU OF ALL OTHER WARRANTIES AND CONDITIONS, EXCEPT THE WARRANTY OF TITLE, LEGEND ATTACHMENTS DISCLAIMS ALL OTHER WARRANTIES AND CONDITIONS, EXPRESS OR IMPLIED, INCLUDING ANY IMPLIED WARRANTIES OR CONDITIONS OF MERCHANTABILITY OR FITNESS FOR A PARTICULAR PURPOSE. IN NO EVENT SHALL LEGEND ATTACHMENTS OR THE AUTHORIZED LEGEND ATTACHMENTS DISTRIBUTOR OR DEALER BE LIABLE FOR ANY SPECIAL, INCIDENTAL, INDIRECT OR CONSEQUENTIAL DAMAGES OR INJURIES, WHATSOEVER, INCLUDING, BUT NOT LIMITED TO, LOSS OR INTERRUPTION OF BUSINESS, LOST PROFITS, OR LOSS OF MACHINE USE, WHETHER BASED ON CONTRACT, WARRANTY, TORT, NEGLIGENCE, STRICT LIABILITY, STATUTE OR OTHERWISE, EVEN IF LEGEND ATTACHMENTS OR THE AUTHORIZED LEGEND ATTACHMENTS DISTRIBUTOR OR DEALER HAS BEEN ADVISED OF THE POSSIBILITY OF SUCH DAMAGES. THE TOTAL LIABILITY OF LEGEND ATTACHMENTS AND THE AUTHORIZED LEGEND ATTACHMENTS DISTRIBUTORS OR DEALERS WITH RESPECT TO THE PRODUCT AND SERVICES FURNISHED HEREUNDER SHALL NOT EXCEED THE PURCHASE PRICE OF THE PRODUCT UPON WHICH SUCH LIABILITY IS BASED.
